



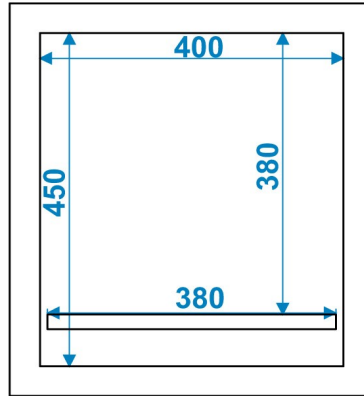
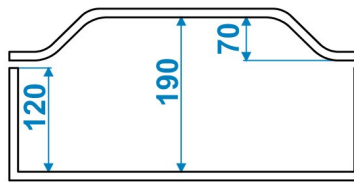
Bench Top Models

V-40s



Pump: 21m³/h
Voltage: 230v 50/60Hz
Weight: 85kg

CURVE LID



Faceplate display

General Features

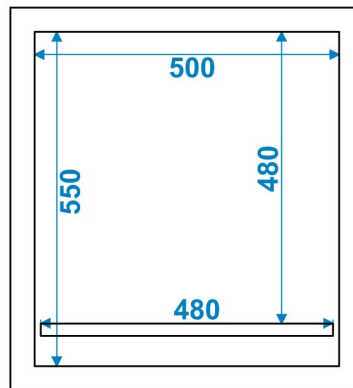
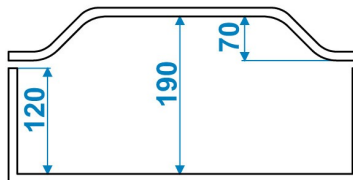
- Made of AISI 304 stainless steel
- Digital control board with 25 programs.
- Vacuum by percentage and vacuum by time
- Allows for soft air
- Doubled sealed for such liquids as fats, blood & water
- Easy disassembly for maintenance and cleaning of the chamber
- Automatic regulation of cooling weld
- Digital working hours counter

V-50s



Pump: 21m³/h
Voltage: 230v 50/60Hz
Weight: 100kg

CURVE LID



Options

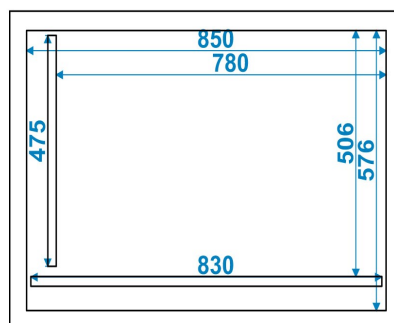
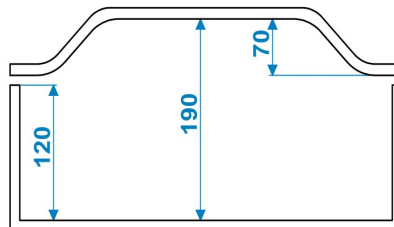
- Gas is included on all three models.
- Cutting wire for excess plastic
- Other sealing bar layout options on the V-50s & V-85s models.

V-85s



Pump: 21m³/h + 21m³/h
Voltage: 230v 50/60Hz
Weight: 145kg

CURVE LID



D&L Packaging
 Unit D 237 Bush Road
 Albany Auckland
 Tel: (09) 443 6301
 Fax: (09) 443 6307
 Email: info@dlpack.co.nz
 Web: www.dlpack.co.nz